

# Screw compressor package

## LS-DDNC

### Low Space Direct Driven Non Cooled system

- Lightest and smallest direct driven system.
- Complete assembled package (plug-in system).
- Could be partly fitted behind fuel tank  
(Maximum space required 330 mm)

#### B 600

250 - 600 m<sup>3</sup>/h

#### MISTRAL

365 - 750 m<sup>3</sup>/h

#### TYPHON II

500 - 1130 m<sup>3</sup>/h

#### B 600 20R LS-DDNC



#### Low Space

Length : 319 mm - Height : 790 mm  
Width : 717 mm

#### TYPHON II 13R/15L LS-DDNC



#### Low Space

Length : 319 mm - Height : 790 mm  
Width : 717 mm



# Screw compressor package LS-DDNC

Compressor type			B 600		MISTRAL		TYPHON II	
<b>Version</b>			20R 30R	13R/15L 19R/22L	20R 30R	13R/15L 19R/22L	20R 30R	13R/15L 19R/22L
Flow		m <sup>3</sup> /h	250 - 600		365 - 750		500 - 1130	
Weight	-	kg	151	181	176	206	204	234
Height	H	mm	max. 790					
Length	L	mm	319					
Width	W	mm	717					
Compressor Length	C	mm	549	686	587	723	664	799

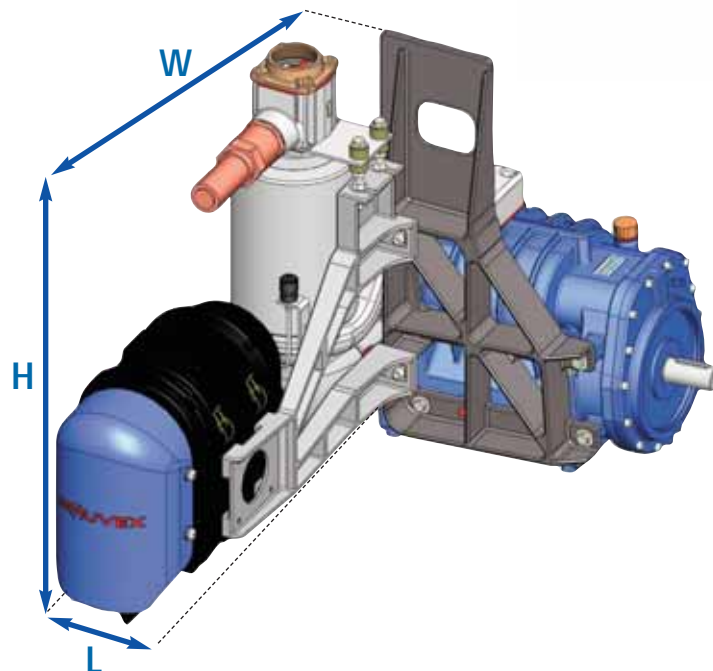
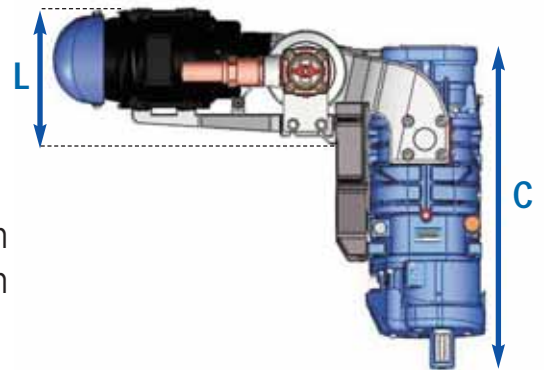


**13R/CW** 1040 - 1300 rpm  
**19R/CW** 1560 - 1950 rpm

**15L/CCW** 1200 - 1500 rpm  
**22L/CCW** 1800 - 2250 rpm

**20R/CW** 1600 - 2000 rpm  
**30R/CW** 2400 - 3000 rpm

Speed for 2,5 bar max.



ZI la Plaine des Isles  
 rue des Caillottes  
 89000 AUXERRE - FRANCE  
 T + 33.3.86.49.86.30  
 F + 33.3.86.46.42.10  
 contact@mouvex.com



Distributed by :

Mouvex reserves the right to modify the information and illustrations contained in this document without prior notice. This is a non-contractual document.  
 Printed in FRANCE by Filigrane  
 © 2009 Mouvex